



Hamburg - Germany

almanit Cisterns & Co.

## Concealed Cisterns



*Manufactured under strict German standards of quality control  
according to DIN 18024 and DIN 18025*



almanit sanitary fittings

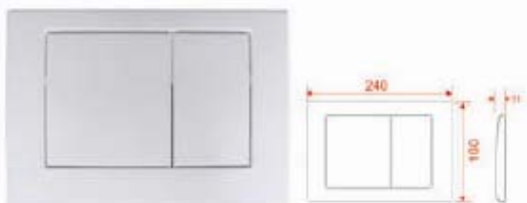
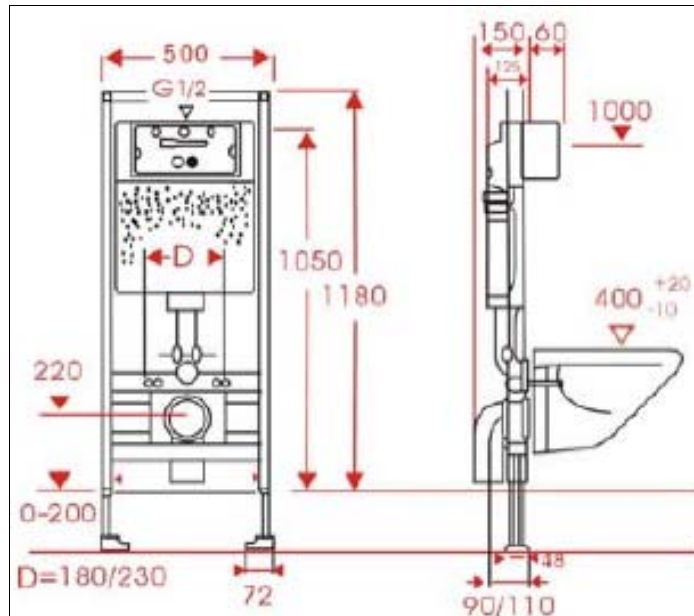
Hamburg - Germany



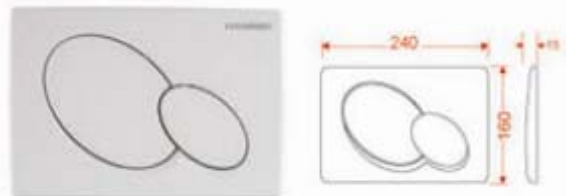
## Full Frame Concealed Cisterns



Art.8801.01



Art.8609.22



Art.8604.22

### Art.8801.01

Concealed cistern for wall hung-WC, abt. 1.2 m installation height, with metal frame, self supporting, pre-assembled, height adjustable fitting connections, with fixing material, including 2 WC-fixing bolts, with PE-outlet bend, with inlet and outlet connecting set, with flushing cistern 6-9 litres, dual flush system, cistern insulated against condensation, with angle stop valve and flush pipe.

### Art.8609.22

SQUARE type wall plate for dual flushing cistern, for two-volume flushing (6l or 9l), size: 240x150mm, available in white, chrome, and matt chrome.

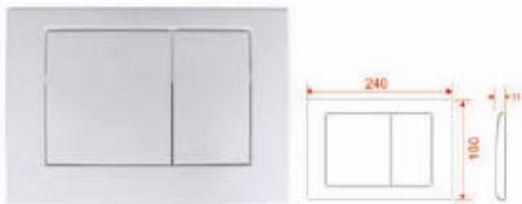
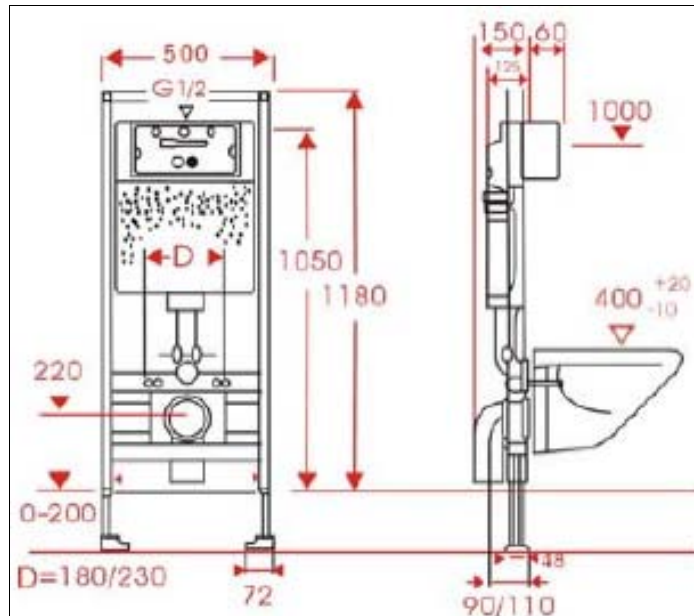
### Art.8604.22

OVAL type wall plate for dual flushing cistern, for two-volume flushing (6l or 9l), size: 240x160mm, available in white, chrome, and matt chrome.

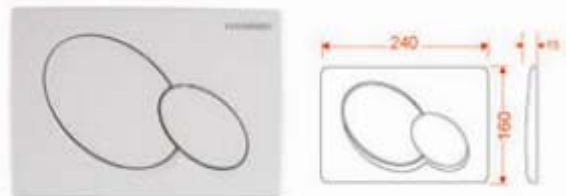
## Semi Frame Concealed Cisterns



Art.8801.08



Art.8609.22



Art.8604.22

### Art.8801.08

Concealed cistern for wall hung-WC, abt. 1.2 m installation height, with semi metal frame, pre-assembled, height adjustable fitting connections, with fixing material, including 2 WC-fixing bolts, with PE-outlet bend, with inlet and outlet connecting set, with flushing cistern 6-9 litres, dual flush system, cistern insulated against condensation, with angle stop valve and flush pipe.

### Art.8609.22

SQUARE type wall plate for dual flushing cistern, for two-volume flushing (6l or 9l), size: 240x150mm, available in white, chrome, and matt chrome.

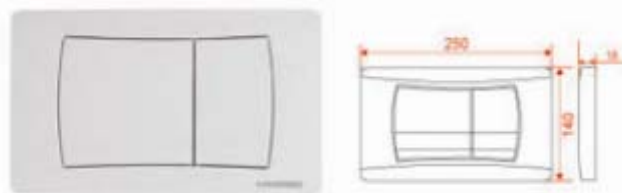
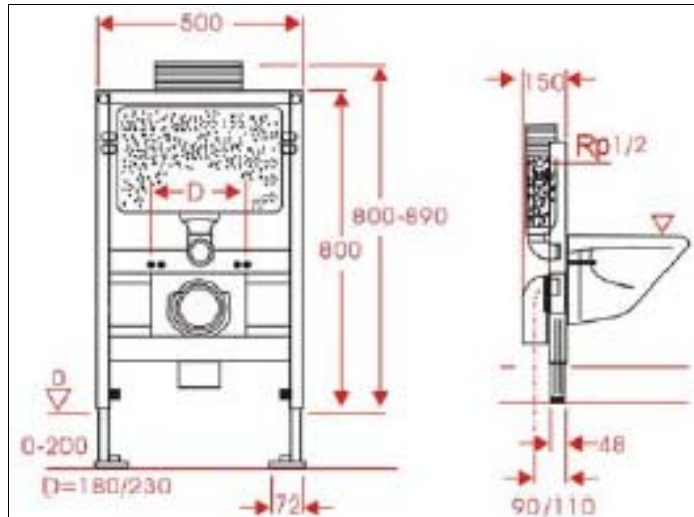
### Art.8604.22

OVAL type wall plate for dual flushing cistern, for two-volume flushing (6l or 9l), size: 240x160mm, available in white, chrome, and matt chrome.

## Full Frame Concealed Cisterns



Art.8801.02



Art.8603.22

### Art.8801.02

Concealed cistern for wall hung-WC, Top dual-flushing, abt. 0,8 m installation height, with metal frame, self supporting, pre-assembled, height adjustable fitting connections, with fixing material, including 2 WC-fixing bolts, with PE-outlet bend, with inlet and outlet connecting set, with flushing cistern 6-9 litres, top dual flush system, cistern insulated against condensation, with angle stop valve and flush pipe.

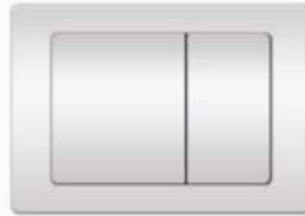
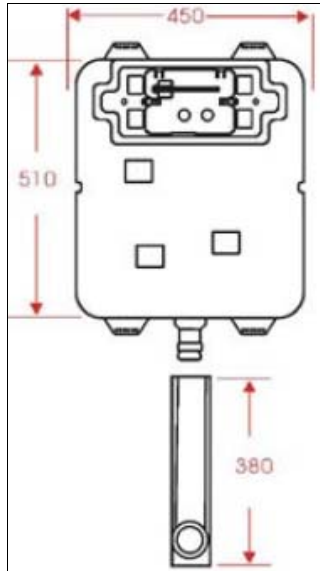
### Art.8603.22

SQUARE type top wall plate for dual flushing cistern, for two-volume flushing (6l or 9l), size: 250x140mm, available in white, chrome, and matt chrome.

## Concealed Cisterns



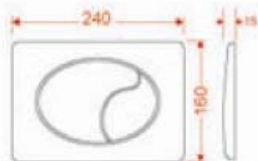
Art.8801.13



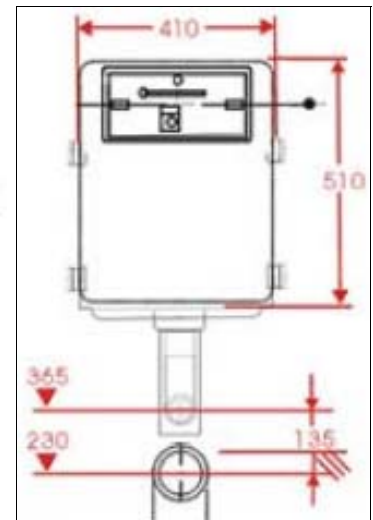
Art.8610.22



Art.8605.22



Art.8801.01



### Art.8801.13

Concealed cistern for squatting pan, dual-flushing, without frame, pre-assembled, with insulated flushing pipe, with inlet and outlet connecting set, with flushing cistern 6-9 litres, front dual flush system, cistern insulated against condensation.

### Art.8801.01

Concealed cistern for back to wall WC, dual-flushing, without frame, pre-assembled, with flushing pipe, with inlet and outlet connecting set, with flushing cistern 6-9 litres, front dual flush system, cistern insulated against condensation, with angle stop valve.

### Art.8605.22

ROUND type wall plate for dual flushing cistern, for two-volume flushing (6l or 9l), size: 240x160mm, available in white, chrome, and matt chrome.

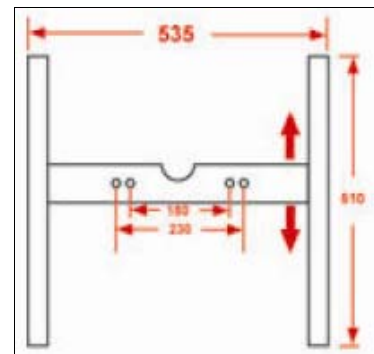
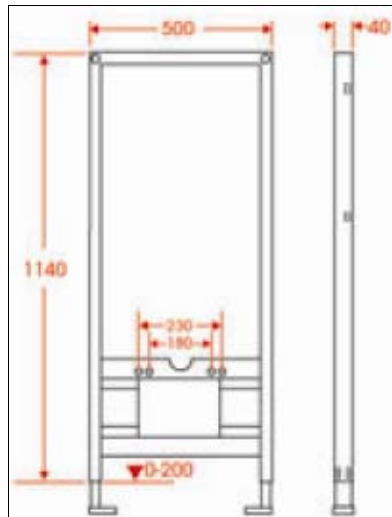
### Art.8610.22

SQUARE type st. steel wall plate for dual flushing cistern, for two-volume flushing (6l or 9l), size: 240x160mm, available in white, chrome, and matt chrome.

## Supporting Frames



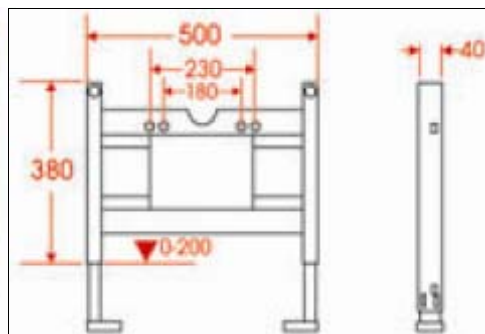
Art.8821.03



Art.8821.05



Art.8821.04



### **Art.8821.03**

Supporting full frame for wall hung-WC, abt. 1,2 m installation height, self supporting, pre-assembled, height adjustable fitting connections, with fixing material, including 2 WC-fixing bolts, with PE-outlet bend.

### **Art.8821.04**

Supporting semi frame for wall hung-WC, abt. 0,4m installation height, self supporting, pre-assembled, height adjustable fitting connections, with fixing material, including 2 WC-fixing bolts, with PE-outlet bend.

### **Art.8821.05**

Supporting frame for wall hung bidet, abt. 0,5 m installation height, self supporting, pre-assembled, height adjustable fitting connections, with fixing material, including 2 Bidet-fixing.