



Hamburg - Germany

almanit valves & bib cocks

Ball Valves



*Manufactured under strict German standards of quality control
according to DIN 52218 and EN 13828*

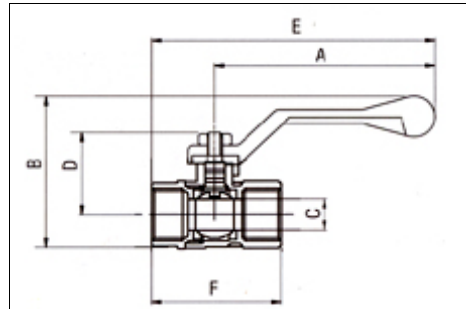
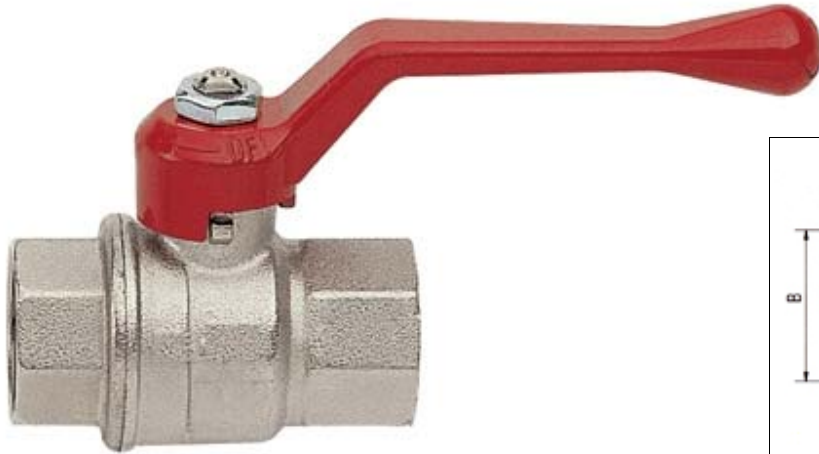


almanit sanitary fittings

Hamburg - Germany



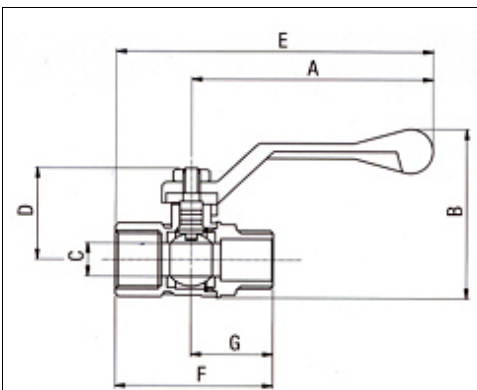
Full Bore Ball Valves



	A	B	C	D	E	F	G
1/2"	84,5	66	15	36,5	115,5	59,5	
3/4"	110	74	20	53	134	67,5	
1"	110	82,5	25	47	140	79	
1 1/4"	140	101,5	32	60	188	96	
1 1/2"	140	112	40	65,5	192,5	105	
2"	170	139,5	50	79	222,5	128	

Art.9640

nickel plated brass ball valve, heavy model, full bore, with solid brass ball inside, with high density PTFE seats, with aluminium lever handle, Female x Female threading (7 threads in accordance with ISO 7/1), printed with "almanit" brand name and origin logo, single packing, PN 40, -10°C to + 120°C, working pressure: 5-7 bar, Maximum working pressure: 10 bar, available in the sizes: 1/2", 3/4", 1", 1.1/4", 1.1/2", 2", 2.1/2", 3" and 4". (Available also with st. steel lever handle with plastic cover – Art.9641)



	A	B	C	D	E	F	G
1/2"	84,5	66	15	36,5	115,5	68	38,3
3/4"	110	74	20	43,5	134	76	42,3
1"	110	82,5	25	47	140	87	48
1 1/4"	140	101,5	32	60	188	106	58
1 1/2"	140	112	40	65,5	192,5	114	61,5
2"	170	139,5	50	79	222,5	136,5	73,5



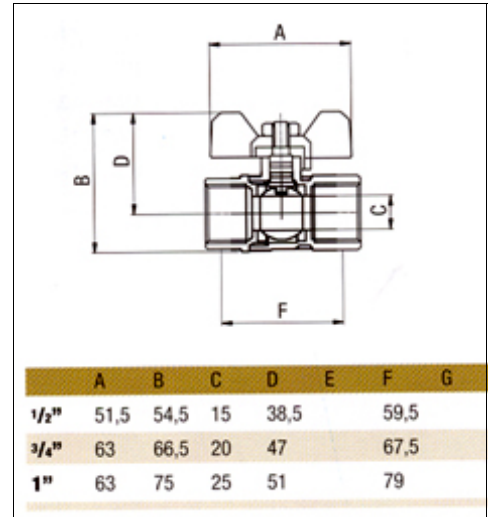
Art.9643

nickel plated brass ball valve, heavy model, full bore, with solid brass ball inside, with high density PTFE seats, with aluminium lever handle, Male x Female threading (7 threads in accordance with ISO 7/1), printed with "almanit" brand name and origin logo, single packing, PN 40, -10°C to + 120°C, working pressure: 5-7 bar, Maximum working pressure: 10 bar, available in the sizes: 1/2", 3/4", 1", 1.1/4", 1.1/2", 2", 2.1/2", 3" and 4". (Available also with st. steel lever handle with plastic cover – Art.9641)



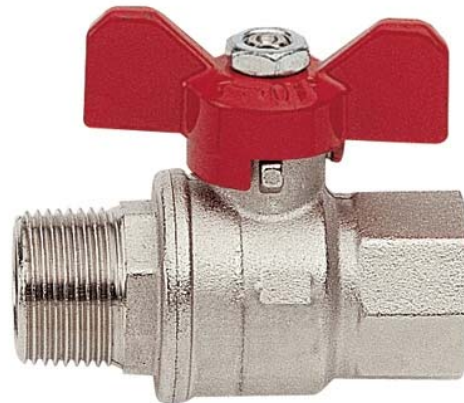
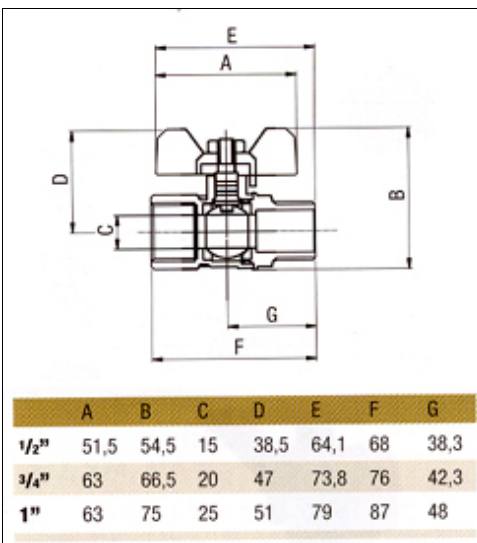
Hamburg - Germany

Full Bore Ball Valves



Art.9648

nickel plated brass ball valve, heavy model, full bore, with solid brass ball inside, with high density PTFE seats, with aluminium Butterfly handle, Female x Female threading (7 threads in accordance with ISO 7/1), printed with "almanit" brand name and origin logo, single packing, PN 40, -10°C to + 120°C, working pressure: 5-7 bar, Maximum working pressure: 10 bar, available in the sizes: 1/2", 3/4", 1", 1.1/4", 1.1/2", 2", 2.1/2", 3" and 4".



Art.9644

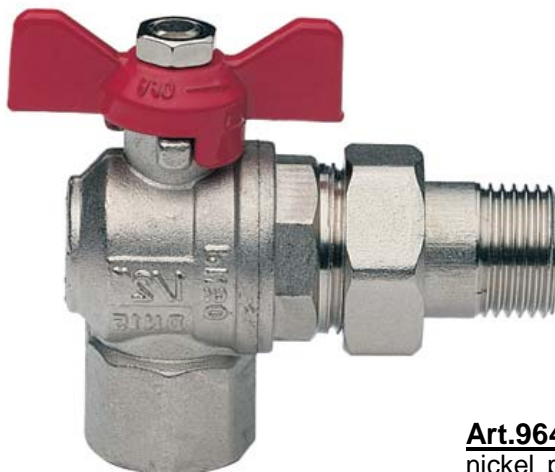
nickel plated brass ball valve, heavy model, full bore, with solid brass ball inside, with high density PTFE seats, with aluminium Butterfly handle, Female x Male threading (7 threads in accordance with ISO 7/1), printed with "almanit" brand name and origin logo, single packing, PN 40, -10°C to + 120°C, working pressure: 5-7 bar, Maximum working pressure: 10 bar, available in the sizes: 1/2", 3/4", 1", 1.1/4", 1.1/2" and 2".

Full Bore Ball Valves



Art.9642

nickel plated brass ball valve, heavy model, full bore, with solid brass ball inside, with high density PTFE seats, with aluminium Butterfly handle, Male x Female threading (7 threads in accordance with ISO 7/1), with union, printed with "almanit" brand name and origin logo, single packing, PN 40, -10°C to + 120°C, working pressure: 5-7 bar, Maximum working pressure: 10bar, available in the sizes: 3/4", 1" and 1.1/4".



Art.9649

nickel plated brass corner ball valve, heavy model, full bore, with solid brass ball inside, with high density PTFE seats, with aluminium Butterfly handle, Male x Female threading (7 threads in accordance with ISO 7/1), with union, printed with "almanit" brand name and origin logo, single packing, PN 40, -10°C to + 120°C, working pressure: 5-7 bar, Maximum working pressure: 10bar, available in the sizes: 1/2", 3/4" and 1".

Compression & Mini Ball Valves



Art.9650

nickel plated brass ball valve, heavy model, full bore, with solid brass ball inside, with high density PTFE seats, with aluminium lever handle, Male x Male threading, fitted on both ends with chrome plated brass compression nuts, printed with "almanit" brand name and origin logo, single packing, PN 40, -10°C to + 120°C, working pressure: 5-7 bar, Maximum working pressure: 10bar, available in the sizes: 15x15 mm, 18x18 mm, 22x22 mm, 28x28 mm, 32x32 mm. (Available also with st. steel lever handle with plastic cover – Art.9651)



Art.9646



Art.9648



Art.9647

chrome plated brass mini ball valve, with aluminium handle in Red, Blue or Black colour, PN16, -10°C to +120°C, available with: Female x Female, Male x Female and Male x Male threading, laser printed with "almanit" brand name and origin logo, single packing, size: 1/2"x1/2".

Full Bore Ball Valves



Art.6910

nickel plated brass ball bib cock, heavy model, with solid brass ball inside, with high density PTFE seats, with aluminium lever handle, with metal hose connection, -15°C to + 120°C, PN 20, available in the sizes: 1/2", 3/4" and 1".