



Hamburg - Germany

almanit valves & bib cocks

Check & Safety Valves



*Manufactured under strict German standards of quality control
according to DIN 259 and BS 2779*



almanit sanitary fittings

Hamburg - Germany

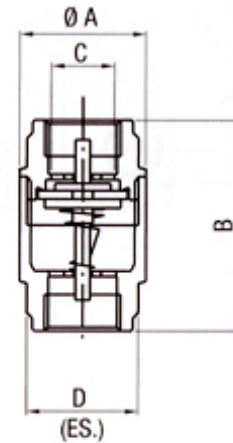


Check Valves



Art.69016

pressed brass non return check valve, with st. steel spring, with metal disk, with **brass** pin, PN10 – PN25, for sanitary, hydro and heating applications. Temperature range: 0°C to +80°C, Nominal Pressure range: 10 bar / 25 bar, Female x Female threading , available in the sizes: 1/2", 3/4", 1", 1.1/4", 1.1/2" and 2".

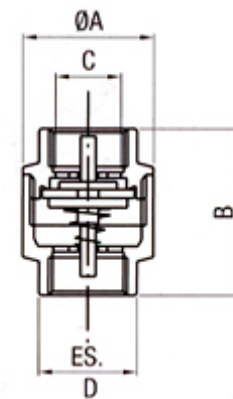


	A	B	C	D	E	F	G
1/2"	34	58	17	27			
3/4"	41	67	22	33			
1"	48	77	28	40			
1 1/4"	60	83	38	50			
1 1/2"	71	94	42	55			
2"	87	102	55	69			



Art.69015

pressed brass non return check valve, with st. steel spring, with metal disk, with **plastic** pin, PN10 – PN25, for sanitary, hydro and heating applications. Temperature range: 0°C to +80°C, Nominal Pressure range: 10 bar / 25 bar, Female x Female threading , available in the sizes: 1/2", 3/4", 1", 1.1/4", 1.1/2" and 2".



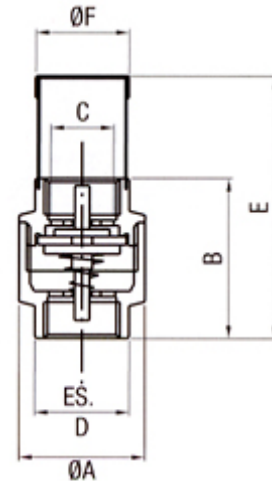
	A	B	C	D	E	F	G
1/2"	33	45	17	25			
3/4"	42	50	22	31			
1"	47	57	28	38			
1 1/4"	59	64	35	46			
1 1/2"	68	74	42	53			
2"	84	78	55	67			

Foot Valves



Art.69017

pressed brass non return foot valve with st. steel strainer (filter), with st. steel spring, with metal disk, PN10 – PN20, for sanitary, hydro and heating applications. Temperature range: 0°C to +80°C, Nominal Pressure range: 10 bar / 25 bar, Female x Female threading, available in the sizes: 1/2", 3/4", 1", 1.1/4", 1.1/2" and 2".



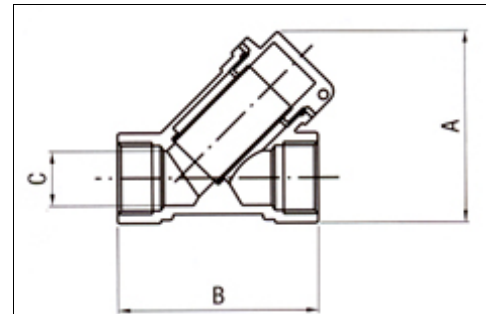
	A	B	C	D	E	F	G
1/2"	34	42	17	25	72	25	
3/4"	42	47	22	31	76	30	
1"	47	53	28	38	93	37	
1 1/4"	59	60	38	46	107	43	
1 1/2"	68	68	42	53	123	54	
2"	84	75	55	67	140	64	



Art.69017B

st. steel filter for check vlave, available in the sizes: 1/2", 3/4", 1", 1.1/4", 1.1/2" and 2".

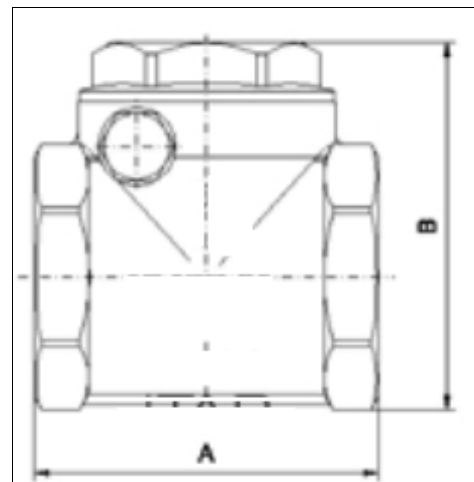
Swing & Strainer Check Valves



	A	B	C	D	E	F	G
1/2"	63	55	15				
3/4"	67	70	20				
1"	75	76	25				
1 1/4"	89	99	32				
1 1/2"	100	107	40				
2"	125	126	50				

Art.69011

Brass filter valve, hot forged, with oblique seat, Y-Type, PN20, with st. steel sieve, for sanitary, hydro and heating applications. Temperature range: 0°C to +100°C, Nominal Pressure: max. 20 bar, Female x Female threading, available in the sizes: 3/8", 1/2", 3/4", 1", 1.1/4", 1.1/2" and 2".



Art.69010

Brass swing check valve, hot forged, with metal disk, PN10, for sanitary, hydro and heating applications. Temperature range: 0°C to +80°C, Nominal Pressure: max. 10 bar, Female x Female threading, available in the sizes: 3/8", 1/2", 3/4", 1", 1.1/4", 1.1/2", 2", 3" and 4".

Safety Valves — Air Vents



Art.67011

nickel plated brass automatic air-vent, with brass plug, standard type, PN10, for sanitary, hydro and heating applications. Temperature range: 0°C to +80°C, Nominal Pressure: max.10 bar, Male threading, available in the sizes: 3/8" and 1/2".



Art.67010

nickel plated brass automatic air-vent, with brass plug, side inlet, PN10, for sanitary, hydro and heating applications. Temperature range: 0°C to +80°C, Nominal Pressure: max.10 bar, Male threading, available in the sizes: 3/8" and 1/2".